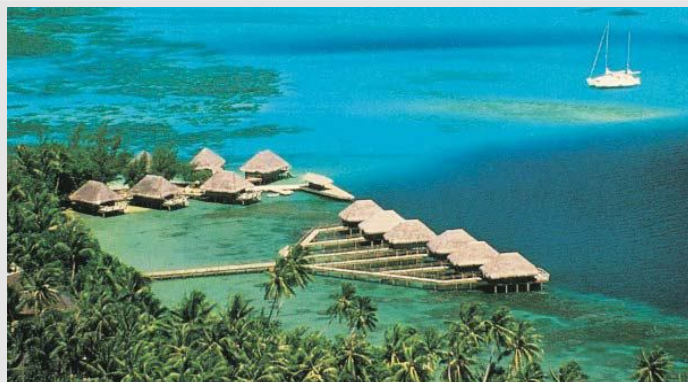
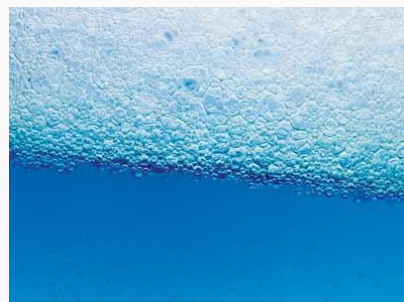




CLEAN WATER GROUP





DESALINIZACIJA MORSKE I BOČATE VODE

KOMPLETNA RJEŠENJA NA JEDNOM MJESTU



Poštovani klijenti, partneri i suradnici,

Širok spektar proizvodne ponude i komponenta koje nudimo omogućavaju realizaciju svake vrste postrojenja, ali i daje mogućnost korisniku da modificira, promijeni ili poboljša postojeću opremu i uređaje.

CWG grupa s vlastitim tvrtkama u više od 20 zemalja i distributerima u 50 zemalja jedan je od najvećih europskih proizvođača/distributera uređaja i opreme za obradu i tretman vode.

Kreiramo postrojenja, usklađena s investicijskim, operativnim i troškovima održavanja, a implementirana u skladu s Vašim potrebama. Naše sveobuhvatno iskustvo i oprema provjerene kvalitete jamče visoku pouzdanost u radu.

Preuzimamo odgovornost za praćenje efekata rada postrojenja i održavanje opreme, ostavljajući tako klijentu slobodu da se koncentrira na svoju osnovnu poslovnu aktivnost. Bazirano na našoj stručnosti, optimiziramo već postojeća postrojenja i činimo procese efikasnijim. To je snaga koja nas čini posebno poželjnim partnerom u tretmanu voda.

Orijentirani prema kupcu, fleksibilni i sposobni da brzo odgovorimo zahtjevima naših klijenata, provodimo u djelo projekte s kratkim rokovima isporuke i po najkonkurentnijim cijenama.

Identificirajući slabost sutrašnjice već danas, postali smo karika između tradicionalnog iskustva i visoke tehnologije budućnosti.

Namjera nam je da u našu ponudu postrojenja implementiramo najsuvremeniju tehnologiju prerade vode za industriju i kućanstva, povećavajući kvalitetu i konkurentnost proizvodnje naših klijenata, smanjujući pritom troškove proizvodnje vode.

Za sve Vaše upite, informacije, savjete te konzultacije budite slobodni kontaktirati nas, stojimo Vam na raspolaganju.

Srdačan pozdrav,

Clean Water Group

CWG d.o.o.
Predstavništvo Hrvatska





CLEAN WATER GROUP REVERSE OSMOSIS EQUIPMENT

HWL SERIES	- FEED WATER QUALITY UP TO 2500 PPM (4400 μ s)..... FLOOR BASED	1
HL SERIES	- WATER FEED UP TO 3500 PPM - (6000 μ s) FLOOR BASED WALL MOUNTED DIRECT FLOW	2 - 3
L SERIES	- WATER FEED UP TO 6000 PPM - (10000 μ s)..... FLOOR BASED WALL MOUNTED DIRECT FLOW EQUIPMENT	4 - 5
LR SERIES	- PURE WATER PRODUCTION - WATER FEED UP TO 6000 PPM - (10000 μ s)..... FLOOR BASED WALL MOUNTED	6 - 7
M SERIES	- WATER FEED UP TO 10000 PPM - (15500 μ s)..... FLOOR BASED WALL MOUNTED	8 - 9
MR SERIES	- PURE WATER PRODUCTION - WATER FEED UP TO 10000 PPM - (15500 μ s)..... FLOOR BASED	10
R SERIES	- WATER FEED UP TO 15000 PPM - (22000 μ s)..... FLOOR BASED	11

BRACKISH WATER UP TO **2500 PPM** (4400 µs)

KP-HWL SERIES

CODE	MODEL	ELECTRICAL SUPPLY*	PRODUCTION LITRES/DAY	DIMENSIONS	
				EQUIP.	FILTER
300KP45HWL	KP 45 HWL	II - III	4500	D	C
300KP90HWL	KP 90 HWL	II - III	9000	D	C
300KP135HWL	KP 135 HWL	II - III	13500	D	C

- Standard equipment supplied with three stage pre-filtration, including automatic rinse filter controlled by PLC, with either activated carbon or silex/antracite, and two stages of polyester pleated replaceable cartridges

OPTIONS

30015141310	Antiscalming dosing system (pump + 75lts. tank (31x31x89))
-------------	--



* II Single-phase 220V – III Three-phase 220/380V. Specify upon ordering.
For detailed information regarding the equipment, please refer to our technical catalogues.

BRACKISH WATER UP TO **3500 PPM** (6000 μ s)

XP-HL SERIES

CODIE	MODEL	ELECTRICAL SUPPLY*	PRODUCTION LITRES/DAY	DIMENSIONS	
				EQUIP.	FILTER
300XP06HL	XP 06 HL	II	540	A	A
300XP12HL	XP 12 HL	II	1180	A	A
300XP23HL	XP 23 HL	II	2310	A	A

- Supplied with four stage pre-filtration, including two dechloration/KDF stages and two polyester pleated replaceable cartridges stages.

OPTIONS

30015141310	Antiscalming dosing system (pump + 75lt. tank (31x31x89))
	Replacement of one cartridge stage for activated carbon or silex/anthracite automatic rinse filter, interconnected with the equipment. (See dimensions)
	Digital conductivity meter, μ s scale



AP-HL SERIES

CODIE	MODEL	ELECTRICAL SUPPLY*	PRODUCTION LITRES/DAY	DIMENSIONS	
				EQUIP.	FILTER
300AP06HL	AP 06 HL	II	540	C	A
300AP12HL	AP 12 HL	II	1180	C	A
300AP23HL	AP 23 HL	II	2310	C	A

- Supplied with a security filtration stage, by means of a 1 μ m polyester pleated replaceable cartridge . For a complete filtration, please refer to the filter catalogue.

OPTIONS

30015141310	Antiscalming dosing system (pump + 75lt. tank (31x31x89))
	Carbon or silex/anthracite automatic rinse filter, interconnected with de equipment. (See dimensions)
	Digital conductivity meter, μ s scale



DIRECT FLOW OSC-HL SERIES

CODIE	MODEL	ELECTRICAL SUPPLY*	PRODUCTION LITRES/HOUR	DIMENSIONS	
				EQUIP.	FILTER
300OSC90HL	OSC 90 HL	II	90	B	A
300OSC125HL	OSC 125 HL	II	125	B	A
300OSC230HL	OSC 230 HL	II	230	B	A

- Supplied with 4 stage pre-filtration, including 2 dechlorination/KDF and 15lt (approx 10lt capacity) pressurized storage tank.

OPTIONS

	Replacement of one cartridge stage for activated carbon or silex/anthracite automatic rinse filter, interconnected with the equipment. (See dimensions)
30001	Digital conductivity meter, μ s scale
30002	60 lts storage tank (approx. 35 lts. capacity)
30003	75 lts storage tank (approx. 45 lts. capacity)
30004	120 lts storage tank (approx. 70 lts. capacity)



* II Single-phase 220V – III Three-phase 220/380V. Specify upon ordering.
For detailed information regarding the equipment, please refer to our technical catalogues.

BRACKISH WATERS UP TO **3500 PPM** (6000 µs)

BP-HL SERIES

CODIE	MODEL	ELECTRICAL SUPPLY*	PRODUCTION LITRES/DAY	DIMENSIONS	
				EQUIP.	FILTER
300BP12HL	BP 12 HL	II - III	1230	D	B
300BP25HL	BP 25 HL	II - III	2460	D	B
300BP37HL	BP 37 HL	II - III	3690	D	B
300BP50HL	BP 50 HL	II - III	4920	D	B

- Standard equipment supplied with three stage pre-filtration, including high capacity dechlorination stage, BIG type.

OPTIONS

30015141310	Antiscalinij dosing system (pump + 75lts tank (31x31x89) Replacement of one cartridge stage for activated carbon or silex/antracite automatic rinse filter, interconnected with the equipment. (See dimensions)
-------------	--



KP-HL SERIES

CODE	MODEL	ELECTRICAL SUPPLY*	PRODUCTION LITRES/DAY	DIMENSIONS	
				EQUIP.	FILTER
300KP45HL	KP 45 HL	II - III	4570	D	C
300KP90HL	KP 90 HL	II - III	9150	D	C
300KP135HL	KP 135 HL	II - III	13720	D	C
300KP180HL	KP 180 HL	III	18300	E	E
300KP225HL	KP 225 HL	III	22800	E	F
300KP270HL	KP 270 HL	III	27450	E	F
300KP320HL	KP 320 HL	III	32000	F	F
300KP360HL	KP 360 HL	III	36500	F	F

- Standard equipment supplied with three stage pre-filtration, including automatic rinse filter controlled by PLC, with either activated carbon or silex/antracite, and two stages of polyester pleated replaceable cartridges.

OPTIONS

30015141310	Antiscalinij dosing system (pump + 75 lts. tank (31x31x89)
-------------	--



* II Single-phase 220V – III Three-phase 220/380V. Specify upon ordering.
For detailed information regarding the equipment, please refer to our technical catalogues.

BRACKISH WATERS UP TO **6000 PPM** (10000 μ s)

XP-L SERIES

CODIE	MODEL	ELECTRICAL SUPPLY*	PRODUCTION LITRES/DAY	DIMENSIONS	
				EQUIP.	FILTER
300XP06L	XP 06 L	II	540	A	A
300XP12L	XP 12 L	II	1180	A	A
300XP23L	XP 23 L	II	2310	A	A

- Supplied with four stage pre-filtration, including two dechloration/KDF stages and two polyester pleated replaceable cartridges stages.

OPTIONS

30015141310	Antiscalming dosing system (pump + 75lt. tank (31x31x89))
	Replacement of one cartridge stage for activated carbon or silex/anthracite automatic rinse filter, interconnected with the equipment. (See dimensions)
	Digital conductivity meter, μ s scale

AP-LSERIES

CODIE	MODEL	ELECTRICAL SUPPLY*	PRODUCTION LITRES/DAY	DIMENSIONS	
				EQUIP.	FILTER
300AP06L	AP 06 L	II	540	C	A
300AP12L	AP 12 L	II	1180	C	A
300AP23L	AP 23 L	II	2310	C	A

- Supplied with a security filtration stage, by means of a 1 μ m polyester pleated replaceable cartridge . For a complete filtration, please refer to the filter catalogue.

OPTIONS

30015141310	Antiscalming dosing system (pump + 75lt. tank (31x31x89))
	Carbon or silex/anthracite automatic rinse filter, interconnected with de equipment. (See dimensions)
	Digital conductivity meter, μ s scale

DIRECT FLOW OSC-L SERIES

CODIE	MODEL	ELECTRICAL SUPPLY*	PRODUCTION LITRES/HOUR	DIMENSIONS	
				EQUIP.	FILTER
300OSC90L	OSC 90 L	II	90	B	A
300OSC125L	OSC 125 L	II	125	B	A
300OSC230L	OSC 230 L	II	230	B	A

- Supplied with 4 stage pre-filtration, including 2 dechlorination/KDF and 15lt (approx 10lt capacity) pressurized storage tank.

OPTIONS

	Replacement of one cartridge stage for activated carbon or silex/anthracite automatic rinse filter, interconnected with the equipment. (See dimensions)
30001	Digital conductivity meter, μ s scale
30002	60 lts storage tank (approx. 35 lts. capacity)
30003	75 lts storage tank (approx. 45 lts. capacity)
30004	120 lts storage tank (approx. 70 lts. capacity)



* II Single-phase 220V – III Three-phase 220/380V. Specify upon ordering.
For detailed information regarding the equipment, please refer to our technical catalogues.

BRACKISH WATERS UP TO **6000 PPM** (10000 µs)

BP-L SERIES

CODIE	MODEL	ELECTRICAL SUPPLY*	PRODUCTION LITRES/DAY	DIMENSIONS	
				EQUIP.	FILTER
300BP12L	BP 12 L	II - III	1230	D	B
300BP25L	BP 25 L	II - III	2460	D	B
300BP37L	BP 37 L	II - III	3690	D	B
300BP50L	BP 50 L	II - III	4920	D	B

- Standard equipment supplied with three stage pre-filtration, including high capacity dechlorination stage, BIG type.

OPTIONS

30015141310	Antiscalming dosing system (pump + 75 lts. tank (31x31x89) Replacement of one cartridge stage for activated carbon or silex/anthracite automatic rinse filter, interconnected with the equipment. (See dimensions)
-------------	---



KP-L SERIES

CODE	MODEL	ELECTRICAL SUPPLY*	PRODUCTION LITRES/DAY	DIMENSIONS	
				EQUIP.	FILTER
300KP45L	KP 45 L	II - III	4570	D	C
300KP90L	KP 90 L	II - III	9150	D	C
300KP135L	KP 135 L	II - III	13720	D	C
300KP180L	KP 180 L	III	18300	E	E
300KP225L	KP 225 L	III	22800	E	F
300KP270L	KP 270 L	III	27450	E	F
300KP320L	KP 320 L	III	32000	F	F
300KP360L	KP 360 L	III	36500	F	F

- Standard equipment supplied with three stage pre-filtration, including automatic rinse filter controlled by PLC, with either activated carbon or silex/anthracite, and two stages of polyester pleated replaceable cartridges.

OPTIONS

30015141310	Antiscalming dosing system (pump + 75 lts. tank (31x31x89)
-------------	--



* II Single-phase 220V – III Three-phase 220/380V. Specify upon ordering.
For detailed information regarding the equipment, please refer to our technical catalogues.

PURE WATER PRODUCTION. 99,7% NOMINAL SALT REJECTION MEMBRANES.
BRACKISH WATER UP TO **6000 PPM** (10000 µs).

XP-LR SERIES

CODIE	MODEL	ELECTRICAL SUPPLY*	PRODUCTION LITRES/DAY	DIMENSIONS	
				EQUIP.	FILTER
300XP06LR	XP 06 LR	II	540	A	A
300XP11LR	XP 11 LR	II	1080	A	A
300XP16LR	XP 16 LR	II	1620	A	A

- Supplied with four stage pre-filtration, including two dechloration/KDF stages and two polyester pleated replaceable cartridges stages.

OPTIONS

30015141310	Antiscalming dosing system (pump + 75lt. tank (31x31x89))
	Replacement of one cartridge stage for activated carbon or silex/anthracite automatic rinse filter, interconnected with the equipment. (See dimensions)
	Digital conductivity meter, µs scale



AP-LR SERIES

CODIE	MODEL	ELECTRICAL SUPPLY*	PRODUCTION LITRES/DAY	DIMENSIONS	
				EQUIP.	FILTER
300AP06LR	AP 06 LR	II	540	C	A
300AP12LR	AP 12 LR	II	1180	C	A
300AP23LR	AP 23 LR	II	2310	C	A

- Supplied with a security filtration stage, by means of a 1µm polyester pleated replaceable cartridge. For a complete filtration, please refer to the filter catalogue.

OPTIONS

30015141310	Antiscalming dosing system (pump + 75lt. tank (31x31x89))
	Carbon or silex/anthracite automatic rinse filter, interconnected with the equipment. (See dimensions)
	Digital conductivity meter, µs scale



BP-LR SERIES

CODIE	MODEL	ELECTRICAL SUPPLY*	PRODUCTION LITRES/DAY	DIMENSIONS	
				EQUIP.	FILTER
300BP12LR	BP 12 LR	II - III	1230	D	B
300BP25LR	BP 25 LR	II - III	2460	D	B
300BP37LR	BP 37 LR	II - III	3690	D	B
300BP50LR	BP 50 LR	II - III	4920	D	B

- Standard equipment supplied with three stage pre-filtration, including high capacity dechlorination stage, BIG type.

OPTIONS

30015141310	Antiscalming dosing system (pump + 75 lts. tank (31x31x89))
	Replacement of one cartridge stage for activated carbon or silex/anthracite automatic rinse filter, interconnected with the equipment. (See dimensions)



* II Single-phase 220V – III Three-phase 220/380V. Specify upon ordering.
For detailed information regarding the equipment, please refer to our technical catalogues.

PURE WATER PRODUCTION. 99,7% NOMINAL SALT REJECTION MEMBRANES.
 BRACKISH WATER UP TO **6000 PPM** (10000 µs)

KP-LR SERIES

CODE	MODEL	ELECTRICAL SUPPLY*	PRODUCTION LITRES/DAY	DIMENSIONS	
				EQUIP.	FILTER
300KP40LR	KP 40 LR	II - III	3950	D	C
300KP80LR	KP 80 LR	II - III	7900	D	C
300KP120LR	KP 120 LR	II - III	11850	D	C
300KP160LR	KP 160 LR	III	15800	E	E
300KP200LR	KP 200 LR	III	19750	E	F
300KP240LR	KP 240 LR	III	23700	E	F

- Standard equipment supplied with three stage pre-filtration, including automatic rinse filter controlled by PLC, with either activated carbon or silex/antracite, two stages of polyester pleated replaceable cartridges, antiscaling dosing system with pump and 75lbs square storage tank (31x31x89).



* II Single-phase 220V – III Three-phase 220/380V. Specify upon ordering.
 For detailed information regarding the equipment, please refer to the technical catalogues.

BRACKISH WATERS UP TO **10000 PPM** (15500 μ s)

XP-M SERIES

CODIE	MODEL	ELECTRICAL SUPPLY*	PRODUCTION LITRES/DAY	DIMENSIONS	
				EQUIP.	FILTER
300XP06M	XP 06 M	II	540	A	A
300XP11M	XP 11 M	II	1080	A	A
300XP16M	XP 16 M	II	1620	A	A

- Supplied with four stage pre-filtration, including two dechloration/KDF stages and two polyester pleated replaceable cartridges stages.

OPTIONS

30015141310	Antiscalming dosing system (pump + 75lt. tank (31x31x89)) Replacement of one cartridge stage for activated carbon or silex/anthracite automatic rinse filter, interconnected with the equipment. (See dimensions)
	Digital conductivity meter, μ s scale



AP-M SERIES

CODIE	MODEL	ELECTRICAL SUPPLY*	PRODUCTION LITRES/DAY	DIMENSIONS	
				EQUIP.	FILTER
300AP06M	AP 06 M	II	540	C	A
300AP11M	AP 11 M	II	1080	C	A
300AP16M	AP 16 M	II	1620	C	A

- Supplied with a security filtration stage, by means of a 1 μ m polyester pleated replaceable cartridge . For a complete filtration, please refer to the filter catalogue.

OPTIONS

30015141310	Antiscalming dosing system (pump + 75lt. tank (31x31x89)) Carbon or silex/anthracite automatic rinse filter, interconnected with de equipment. (See dimensions)
	Digital conductivity meter, μ s scale



BP-M SERIES

CODIE	MODEL	ELECTRICAL SUPPLY*	PRODUCTION LITRES/DAY	DIMENSIONS	
				EQUIP.	FILTER
300BP12M	BP 12 M	II - III	1230	D	B
300BP25M	BP 25 M	II - III	2460	D	B
300BP37M	BP 37 M	II - III	3690	D	B
300BP50M	BP 50 M	II - III	4920	D	B

- Standard equipment supplied with three stage pre-filtration, including high capacity dechlorination stage, BIG type.

OPTIONS

30015141310	Antiscalming dosing system (pump + 75 lts. tank (31x31x89)) Replacement of one cartridge stage for activated carbon or silex/anthracite automatic rinse filter, interconnected with the equipment. (See dimensions)
-------------	--



* II Single-phase 220V – III Three-phase 220/380V. Specify upon ordering.
For detailed information regarding the equipment, please refer to the technical catalogues.

BRACKISH WATERS UP TO **10000 PPM** (15500 μs)

KP-M SERIES

CODE	MODEL	ELECTRICAL SUPPLY*	PRODUCTION LITRES/DAY	DIMENSIONS	
				EQUIP.	FILTER
300KP45M	KP 45 M	II - III	4570	D	C
300KP90M	KP 90 M	II - III	9150	D	C
300KP135M	KP 135 M	II - III	13720	D	C
300KP180M	KP 180 M	III	18300	E	E
300KP225M	KP 225 M	III	22800	E	F
300KP270M	KP 270 M	III	27450	E	F
300KP320M	KP 320 M	III	32000	F	F
300KP360M	KP 360 M	III	36500	F	F

- Standard equipment supplied with three stage pre-filtration, including automatic rinse filter controlled by PLC, with either activated carbon or silex/anthracite, two stages of polyester pleated replaceable cartridges, antiscaling dosing system with pump and 75lts square storage tank (31x31x89).



* II Single-phase 220V – III Three-phase 220/380V. Specify upon ordering.
For detailed information regarding the equipment, please refer to the technical catalogues.

PURE WATER PRODUCTION. 99,7% NOMINAL SALT REJECTION MEMBRANES.
BRACKISH WATER UP TO **10000 PPM** (15500 μs).

KP-MR SERIES

CODE	MODEL	ELECTRICAL SUPPLY*	PRODUCTION LITRES/DAY	DIMENSIONS	
				EQUIP.	FILTER
300KP40MR	KP 40 MR	II - III	3950	D	C
300KP80MR	KP 80 MR	II - III	7900	D	C
300KP120MR	KP 120 MR	II - III	11850	D	C
300KP160MR	KP 160 MR	III	15800	E	E
300KP200MR	KP 200 MR	III	19750	E	F
300KP240MR	KP 240 MR	III	23700	E	F

- Standard equipment supplied with three stage pre-filtration, including automatic rinse filter controlled by PLC, with either activated carbon or silex/anthracite, two stages of polyester pleated replaceable cartridges, antiscaling dosing system with pump and 75lts square storage tank (31x31x89).



* II Single-phase 220V – III Three-phase 220/380V. Specify upon ordering.
For detailed information regarding the equipment, please refer to the technical catalogues.

BRACKISH WATERS UP TO **15000 PPM** (22000 μ s)

KP-R SERIES

CODE	MODEL	ELECTRICAL SUPPLY*	PRODUCTION LITRES/DAY	DIMENSIONS	
				EQUIP.	FILTER
300KP45R	KP 45 R	II - III	4570	D	C
300KP90R	KP 90 R	II - III	9150	D	C
300KP135R	KP 135 R	II - III	13720	D	C
300KP180R	KP 180 R	III	18300	E	E
300KP225R	KP 225 R	III	22880	E	F
300KP270R	KP 270 R	III	27450	E	F

- Standard equipment supplied with three stage pre-filtration, including automatic rinse filter controlled by PLC, with either activated carbon or silex/anthracite, two stages of polyester pleated replaceable cartridges, antiscaling dosing system with pump and 75lts square storage tank (31x31x89).



*II Single-phase 220V – III Three-phase 220/380V. Specify upon ordering.
For detailed information regarding the equipment, please refer to the technical catalogues.

SEAWATER REVERSE OSMOSIS UNITS FOR LAND INSTALLATION

FOR SEAWATER UP TO **35000 PPM** (56000 μs) TOTAL DISSOLVED SOLIDS

PM-C SERIES

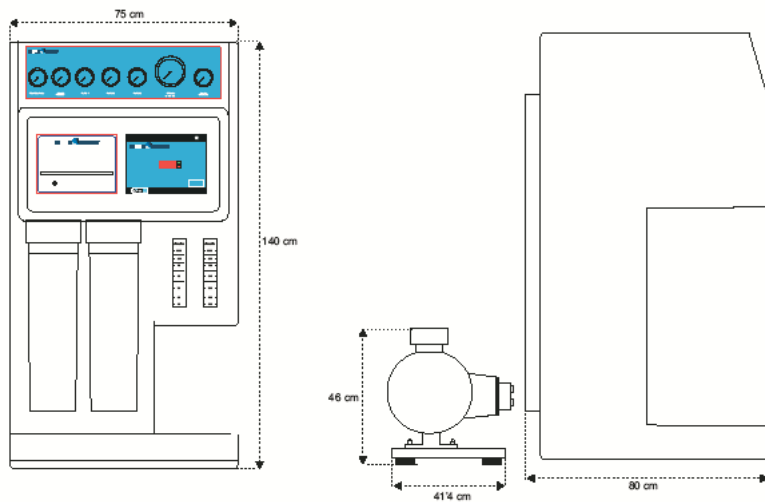
CODE	MODEL	ELECTRICAL SUPPLY*	PRODUCTION LITRES/DAY
300PM12C	PM 12 C	II - III	1200
300PM31C	PM 31 C	II - III	3100
300PM62C	PM 62 C	II - III	6200
300PM93C	PM 93 C	II - III	9300
300PM124C	PM 124 C	II - III	12400
300PM155C	PM 155 C	II - III	15500
300PM200C	PM 200 C	III	20000

- Standard unit supplied with four stage prefiltration, including Silex/anthracite bottle filter with automatic rinse governed by the unit and two stages of replaceable pleated polyester cartridges.



OPTIONS

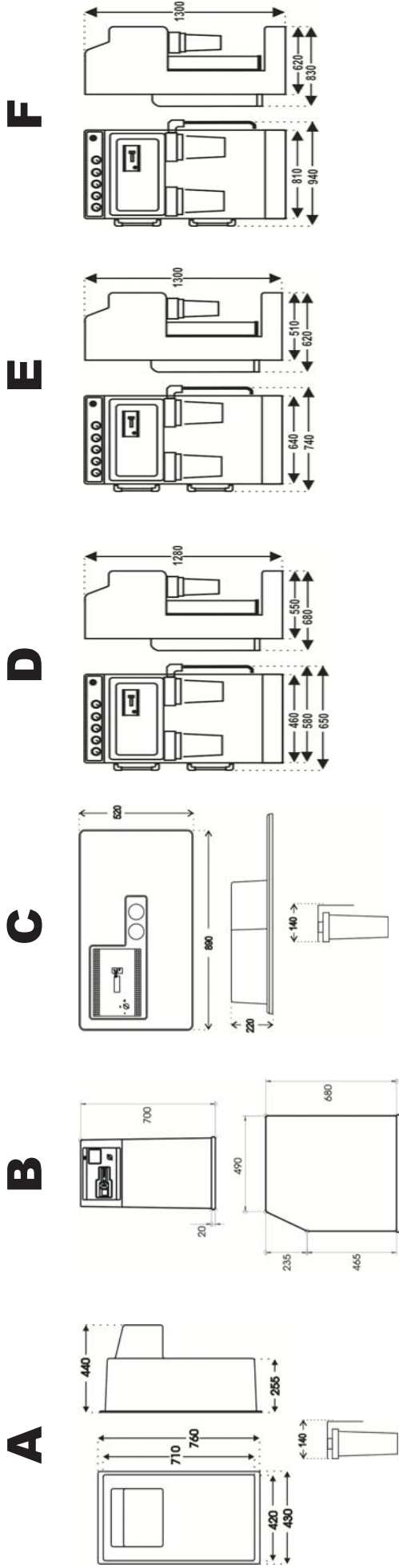
30015141310 Antiscalming dosing system (pump + 75 litre tank.(31x31x89)**



** Models for commercial/industrial applications

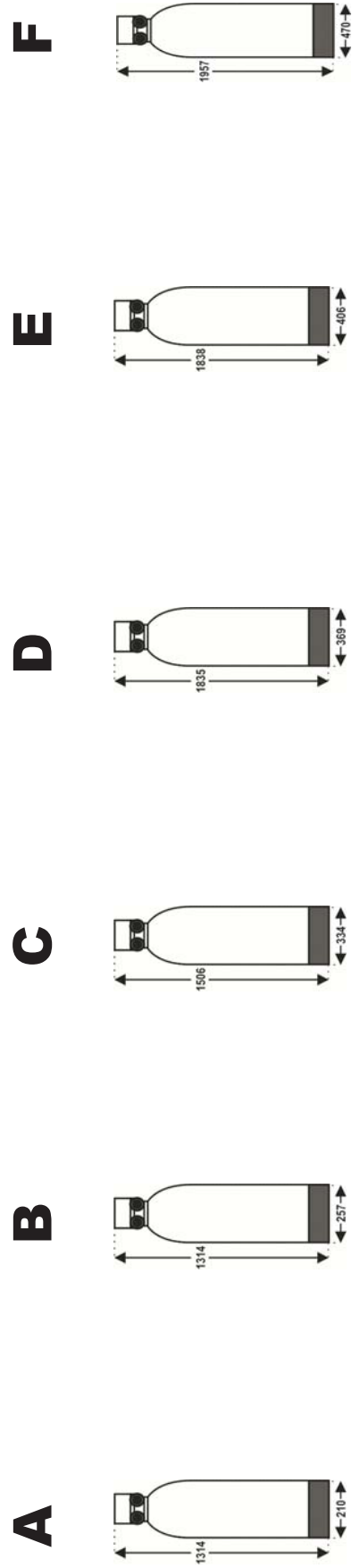
* II Single-phase 220V - III Three-phase 220/380V. Specify upon ordering.
For detailed information regarding the equipment, please refer to our technical catalogues.

EQUIPMENTS



DIMENSIONS

FILTERS



TRETMAN I OBRADA VODA

Voda za piće / Tehnološke vode / Procesne vode / Vode za farmaciju / Otpadne vode / Bazenske vode

KONZALTING

Comissioning - sustava / Comissioning - opreme / Optimalizacije / Praćenje razvoja projekta / Critical solution

INŽENJERING

Procesni projekti / Tehnološki projekti / Izrada idejnih rješenja / Izrada elaborata - zaštita na radu - zaštita okoliša QA i QC planovi

USLUGE

Proizvodnja / Montaža / Puštanje u rad / Servis / Rezervni dijelovi / Održavanje-Outsourcing / Osposobljavanje osoblja



CLEAN WATER GROUP

CWG d.o.o.

Buzinski prilaz 21 · 10010 Zagreb

tel: +385 1 6608 807

tel: +385 1 5601 117

fax: +385 1 6608 809

info@cwg.hr

www.cwg.hr