

TECHNICAL SHEET

FLECK
TWIN VALVE SERIE 9500





FLECK VALVE TWIN SERIE - 9500

TECHNICAL CHARACTERISTICS

- Continuous soft water provision, with one tank in use, the second being in regeneration or stand-by
- Regeneration with softened water
- Valve body in brass (allows the use of hot water (up to 65°C))
- Adjustable cycles
- Fast connection of the second tank (to be ordered separately)



VALVE SPECIFICATION

| | |
|----------------------|--|
| Material | Brass |
| Hydrostatic pressure | 20 bar |
| Working pressure | 1.8 - 8.5 bar |
| Working temperature | 1 - 43 °C |
| Electrical rating | 24 V / 50 or 60 Hz, other upon request |
| Protection index | IP 22 |
| Certificates | 2004/108/CE, Electromagnetic compatibility 2006/95/CE, Low voltage D.M. 174/04, Italian norm |

FLOW RATE (3.5 BAR INLET - VALVE ALONE)

| | 1 1/2 inch |
|--|------------------------|
| Continuous ($\Delta p = 1$ bar) | 8.4 m ³ /h |
| Peak ($\Delta p = 1.8$ bar) | 11.2 m ³ /h |
| Cv* | 9.8 gpm |
| Maximum backwash ($\Delta p = 1.8$ bar) | 3.3 m ³ /h |

* Cv: Flow rate of valve alone in gpm at 0.07 bar pressure drop.

DOWN FLOW REGENERATION

| | Mechanical | Electronic |
|----------------|------------|--------------------|
| Cycles | Adjustable | Adjustable |
| Time available | 164 min | 199 min each cycle |

CONNECTIONS - DIMENSION

| | |
|--|------------------------------|
| Inlet / outlet | 1 ½ inch BSP |
| Distributor tube | 50 mm (DN40) |
| Drain line | 1 inch NPT |
| Brine line 1600 | ¾ inch |
| Brine line 1710 | 1 inch |
| Mounting base - Top | 4 inches - 8 NPSM |
| Height (from top of tank) | 185 mm |
| Tank size application (recommended) | |
| Water softener | 6 - 24 inches (150 - 610 mm) |

METER

| | Mechanical |
|-------------------------|-------------------------|
| Accuracy range (± 5%) | 5 - 283 Lpm |
| Standard capacity range | 2.4 - 40 m ³ |
| Extended capacity range | 12 - 200 m ³ |

REGENERATION CYCLES

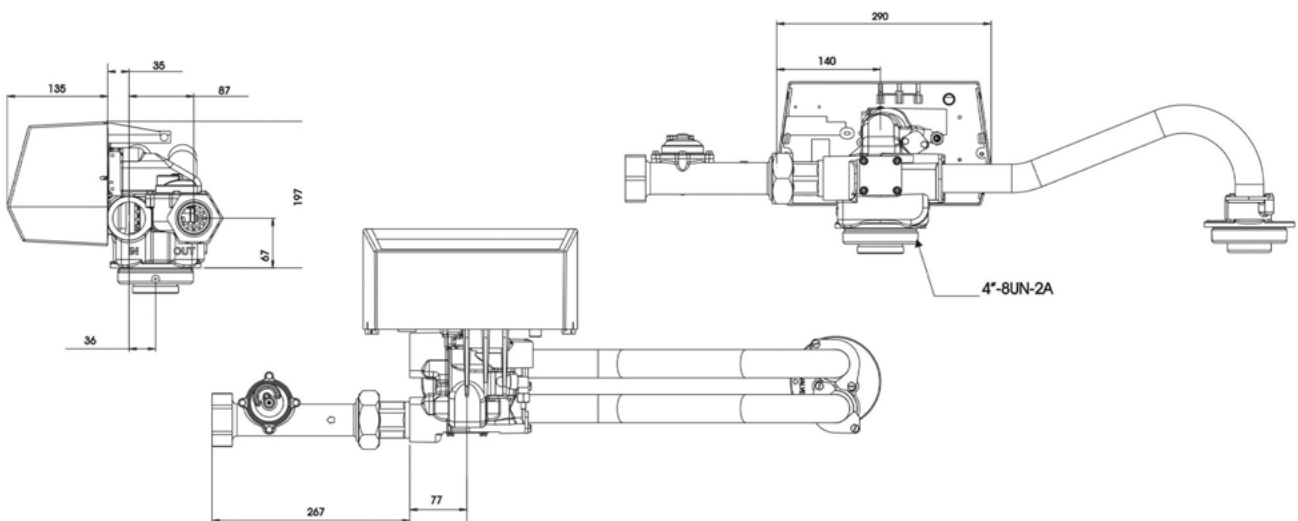
Down flow

- 1) Backwash (Upflow)
- 2) Brine & slow rinse (Down flow)
- 3) Rapid rinse (Down flow)
- 4) Brine tank refill
- 5) Service

OPTIONS

| | |
|-----------------------------|---------|
| Electronic | ET, SXT |
| Hot water (only mechanical) | 65°C |

DIMENSIONS



www.pentairaquaeurope.com